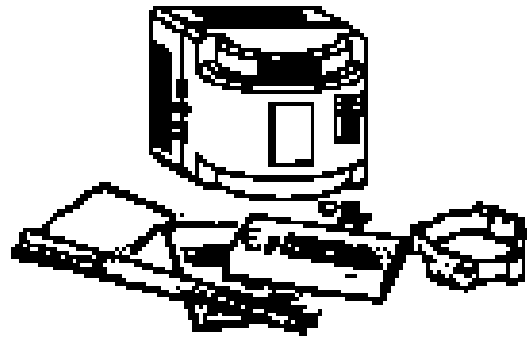


INSTANT FENCE
Owners Manual

- A. Transmitter
- B. Receiver with collar
- C. Two batteries
- D. AC adaptor/power pack
- E. Boundary flags
- F. Video
- G. Owners / training manual
- H. Extra probes



I. What your Pet Containment System IS and IS NOT

- IS a deterrent to train pets to remain within the boundary established.
- IS a great training aid.
- IS for residential use only.
- IS for healthy dogs. If you have doubts, contact your veterinarian.
- IS NOT a solid barrier. It will not work without proper training.
- IS NOT for use with vicious animals or guard dogs. If you believe your dog may pose a threat to others or has a history of aggressive behavior, DO NOT USE THIS SYSTEM.

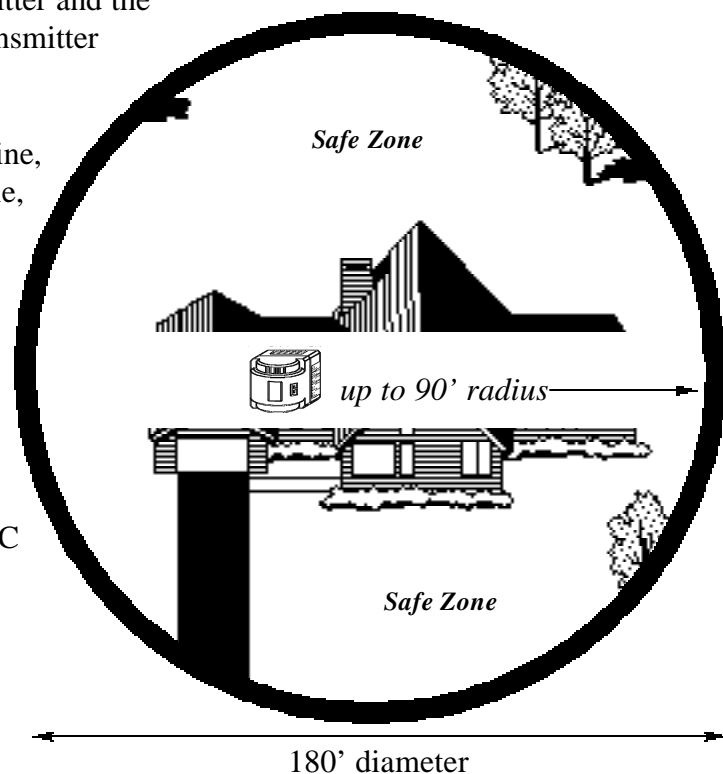
Radio Systems Corporation shall NOT be liable for any property damage, economic loss or any consequential damages sustained as a result of an animal crossing the boundary.

II. Determine the location of your transmitter

To determine the approximate placement of the transmitter and the approximate boundary that will be produced by the transmitter refer to figure 2 and complete the following:

- Draw a sketch of your property that includes the lot line, the dimensions of your lot and house. If one is available, use the survey map of your lot.
- Draw an approximate circle around the area in which you want to confine your pet. The actual size of this circle can be up to a 90 foot radius.
- When drawing this circle realize the transmitter must be positioned in the center of the circle, located in the house or other indoor area (e.g., garage) and near an AC outlet.

Figure 2



III. Prevent potential interference of signal

When choosing a location for the transmitter, keep the following in mind:

- The transmitter should be preferably located on the ground floor of your home.
- It should be located in close proximity to a grounded, non-switched, 110 volt AC outlet.
- It should be located in an indoor area that is clean, dry, and protected, and non-metallic surface 2-4 feet above the floor.
Note: moving the transmitter will change boundary.
- Avoid locating within three feet of any metal objects or objects with "heavy wiring", including main water or power lines, metal water heaters, metal cabinets, kitchen, laundry appliances, fireplace and heating or AC ducts.
- Avoid placing the transmitter within 6 feet where family members spend a significant amount of time (i.e. family room, bedroom). The best location is in a garage or basement.
- Circular signal pattern may be effected by a slope in your yard.
- The transmitter must be properly positioned as shown in figure 3.

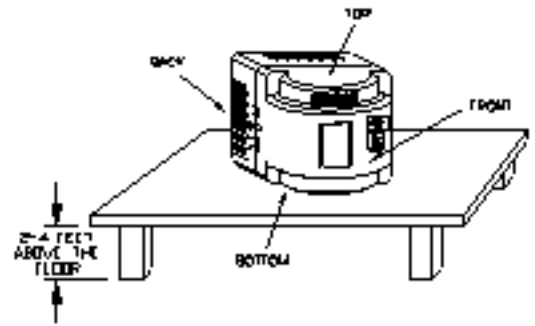
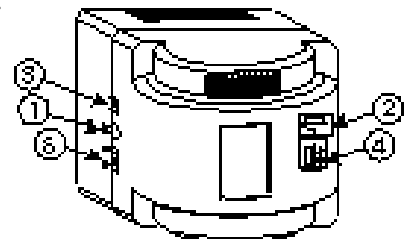


Figure 3: Proper positioning of the transmitter. Table or shelf with non-metallic surface 2-4 feet above the floor. Transmitter can also be mounted on a wall.

IV. Turn on transmitter

Once you have selected the location of the transmitter, complete the following:

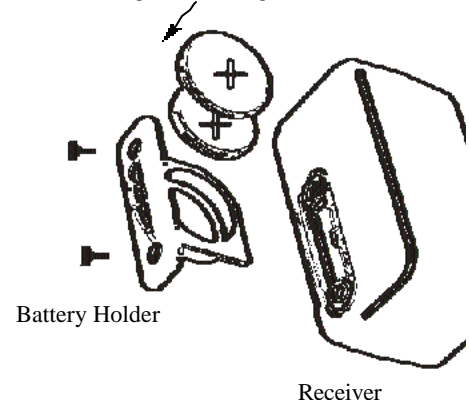
- Plug one end of the AC adaptor/ power pack into an AC outlet and the other end into the power jack slot (1) located on the transmitter.
 - Check the following settings on the transmitter:
 - Put Boundary switch (2) in the HI position.
 - The MODE switch (3) should be in the A position.
 - Turn the boundary control dial (4) to full clockwise position.
 - Turn the POWER switch (5) to ON. A red light will glow.
- Note: Mode "A" is the normal operation mode. Mode "B" is to only be used at the advice of a "PetSafe" customer service representative.



V. Activate receiver

- **The receiver must be located within 10 feet of the transmitter while installing the batteries.**
- Remove two screws, then pull battery holder out of receiver. Install the two batteries positive side up.
- Insert battery holder back in receiver.
- Secure the screws into place.
- The receiver is now activated with the proper signal.

Insert 2 batteries positive side up



To test the receiver, listen for a series of tones as you exit the safe zone. Be careful not to touch the probes.

VI. Placing the collar on your pet

Make sure the receiver is positioned correctly on your pet's throat, with the PetSafe logo facing out, toward the pet's jaw. Ensure the probes touch the skin but are not so tight as to be uncomfortable to your pet. When the collar is properly positioned you should be able to place one finger between the probes and your pet's skin.

STEP 1: Measure your pet's neck, mark the appropriate length, and cut off the excess collar, allowing room for growth. Seal the edge of the cut by melting the frayed edge with a match or lighter.

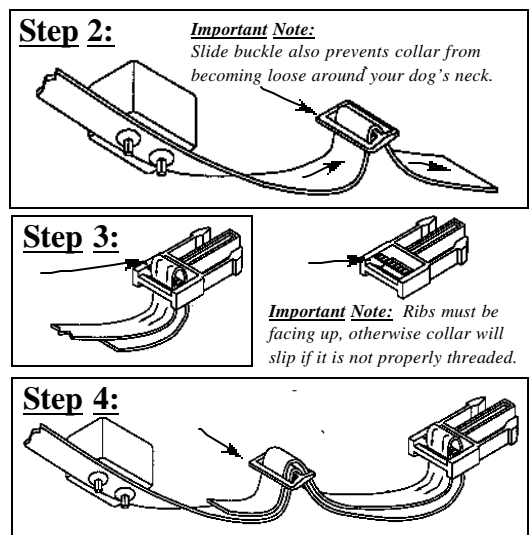
STEP 2: Thread slide buckle onto the collar first.

STEP 3: Thread end of the collar up through the buckle.

STEP 4: Thread excess collar through the slide buckle to hold it in place. This will allow you to adjust your pet's collar as he grows.

Do not leave collar on too tight! Doing so can cause Pressure Necrosis, a condition where the skin deteriorates. Check and clean your pet's neck regularly. If a rash or sore forms, take the collar off for a few days. When replacing it, make sure that it is not too tight.

Congratulations! You are now ready to begin training!



VII. Establishing boundaries

To test where the safe zone ends:

- Turn the transmitter on. Set to LOW if your intended zone is less than about a 40 foot radius and HIGH if more than about a 40 foot radius.
- Turn the boundary control dial to its highest position (full clockwise position).
- Hold the receiver collar in the palm of your hand in the following manner (see figure 4):
 - Receiver case parallel to the ground
 - The PetSafe logo is pointing out from your body
 - The metal probes are facing up (do not touch metal probes)
- Walk towards boundary until you hear the warning sound. This is where the safe zone ends.

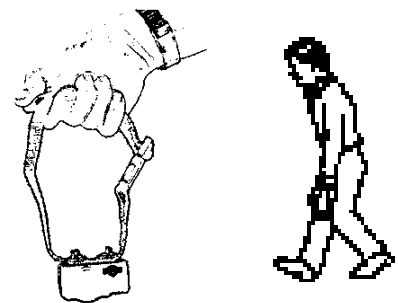


Figure 4

- To reset the boundary, at the most critical point, adjust the boundary control down *slowly* until receiver begins to beep. Place first flag here and walk back into the safe zone until the beeping stops.

Note: when decreasing the dial position to reduce the boundary size, make sure that the dial is turned slowly, in small increments.

- Once the boundary is set properly at the most critical point, check the rest of the boundary.

Tip: Use two people to set boundary - one to hold the receiver and the other to adjust knob.

The flags should be placed at 10 ft. intervals along the entire edge of the boundary using the receiver as your guide.

VIII. Training your pet

Training tips

- Before placing collar on your pet and before beginning any training, read the training section and watch the video.
- Even though your dog may appear to be trained after one or two days, it is important to continue the training for the entire 30 day period.
- During the training period, your pet should be contained by other means and should only be allowed in your yard on a leash. Your pet should not be allowed to freely cross the boundary at any time during the training period.
- Training can be very tiring for your pet, so limit training periods to 10 or 15 minutes.
- Let other family members share in the training so that your pet doesn't relate the training to only one member of the family.
- If your pet becomes hesitant of the training process, remove the receiver collar and resume training the next day and alternate every other day after that.

Boundary training flags

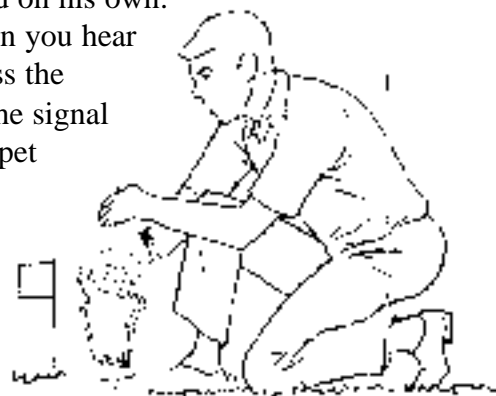
Place boundary flags ten feet apart at the point where the warning beep starts. The flags serve as a temporary visual boundary for you and your pet. The flags will later be removed when your pet has become familiar with the "safe zone".

Boundary Training

- 1) Hold the receiver in one hand with the case parallel to the ground and the PetSafe logo pointing toward the boundary and, using a leash, walk your pet to the boundary. Shake a boundary flag and give your pet a strong "NO" command, allowing him to hear the beeping from the receiver.
- 2) Lead him back into the yard and praise and play with him.
- 3) Repeat steps 1 and 2 around the entire boundary.
- 4) After a short rest/play period, place the receiver collar and a separate collar attached to a leash on your pet.
- 5) Let your pet experience a correction by walking into the signal field on his own. Then, immediately lead him back 6 to 10 feet into the "safe zone" when you hear the beeping sound and praise him. Do not "encourage" your pet to cross the boundaries, as this will confuse him. If your pet will not venture into the signal field on his own, have someone else cross the boundary and allow the pet to follow.
- 6) Repeat step 5 again around the entire perimeter boundary.
- 7) Remove the receiver collar. **DO NOT** leave your pet alone with the receiver collar on until he is fully trained.

Note: The boundary may vary slightly depending on the orientation of the collar on the pet.

Days 2 through 14



- Repeat steps 4 through 7 at least once per day.

Days 15-30

- *When your pet shows learning progress, remove the training leash and allow him full use of the “safe zone”. After 30 days from the start of training, remove every other boundary flag. Repeat every other day.*

Imaginary gate training

- Remove the receiver collar and replace with a regular collar and leash.
- Walk your pet out to a specific place in your yard, preferably the end of your driveway. Always lead him out at this spot with a lead. If he refuses to cross, help him through by pulling on the collar.
- Your pet will gradually learn that he must wear a leash to venture outside the boundaries. Alternate several members of your family during this process so that your pet identifies leaving with the leash and not with the person.

Note: The collar should be removed from the pet when in the house, when transmitter is turned off, or anytime the receiver is no longer in the boundary of the transmitter signal.

IX. Regular maintenance

Perform each of the following:

- Check batteries (monthly).
- Check probes for tightness (weekly).
- Check your pet’s neck for any irritation (daily) and wash neck (weekly).
- Walk the perimeter and remind your pet of the boundaries (monthly).

X. Return Procedure

Send your product with a brief description back to the address below complete with a legible return address. No prior authorization is needed. We recommend that you ship your return via a carrier that offers tracking capabilities. *You must pay the shipping or freight charges to us. We will then pay the freight charges back to you.*

Your product will be repaired or replaced immediately and shipped back to you. There is a nominal labor charge for out of warranty products but all parts are free during the warranty period. If you have had your system for more than one year, call the customer service at 1-800-732-2677 to determine the labor charge.

RSC, Service Warehouse, 10427 Electric Ave., Knoxville, TN 37932

Please remove the collar, probes and batteries from the receiver before shipping it.